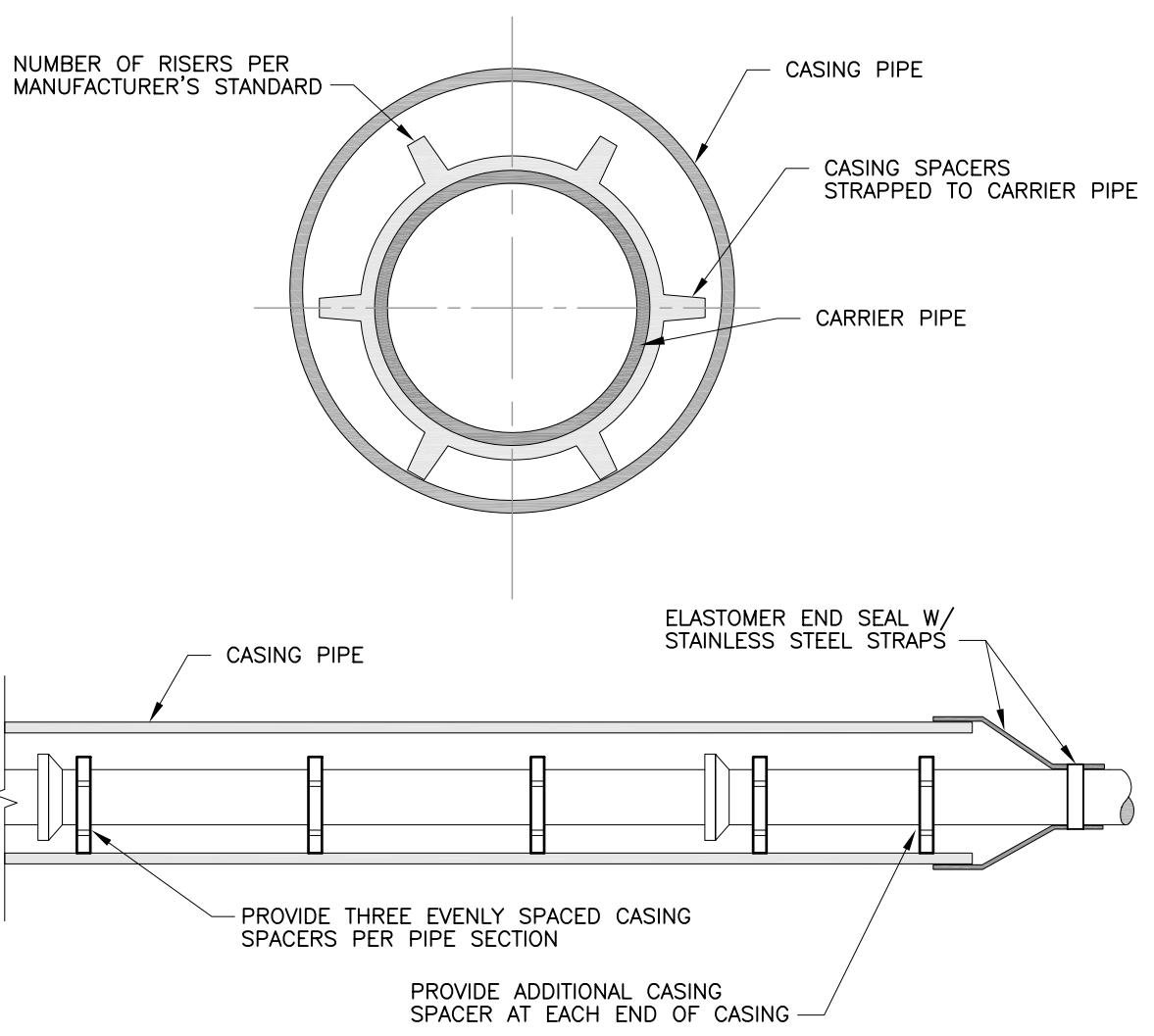


E:\Construction\Standard Details\Del-Co\ID-8 Casing Spacer & End Seal.dwg, 1, 12/10/2004 10:53:30 AM, PER



Del-Co
Water Co., Inc.
6773 OLENTANGY RIVER RD.
DELAWARE, OH 43015

CASING SPACER & END SEAL

REVISED
01 DEC 04

SCALE
NTS

PAGE 1 OF 1

D-8