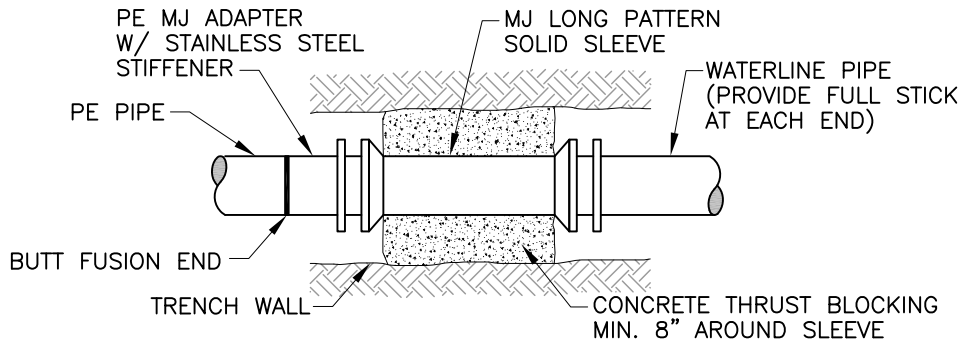
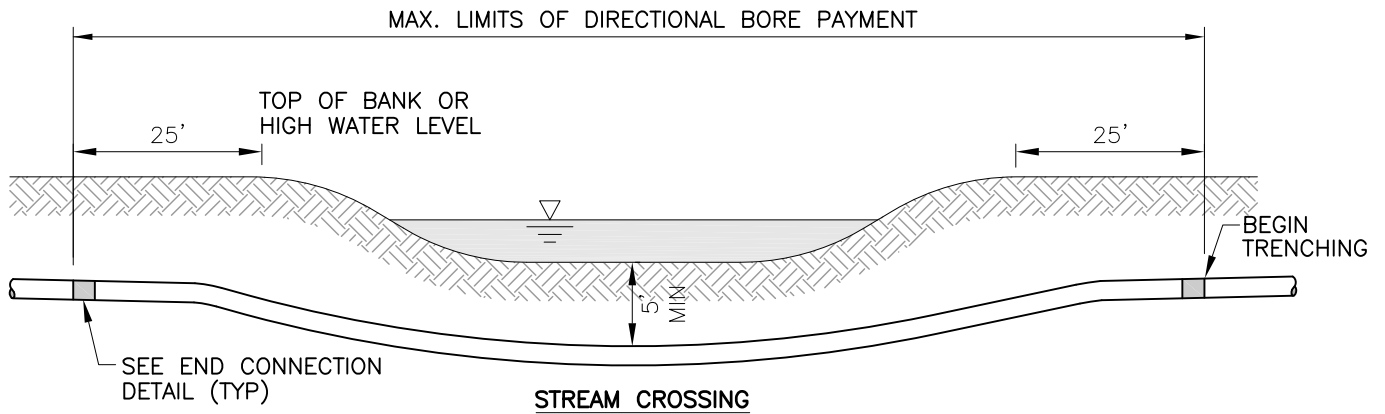


E:\Construction\Subdivision Standards\Details - DWG\ID-09 Horizontal Directional Drilling.dwg, 1, 3/24/2011 9:06:17 AM, DAW



END CONNECTION DETAIL



STREAM CROSSING



**Del-Co
Water Co., Inc.**
6773 OLENTANGY RIVER RD.
DELAWARE, OH 43015

HORIZONTAL DIRECTIONAL DRILLING

REVISED
3-24-2011

SCALE
NTS

PAGE 1 OF 1

D-9