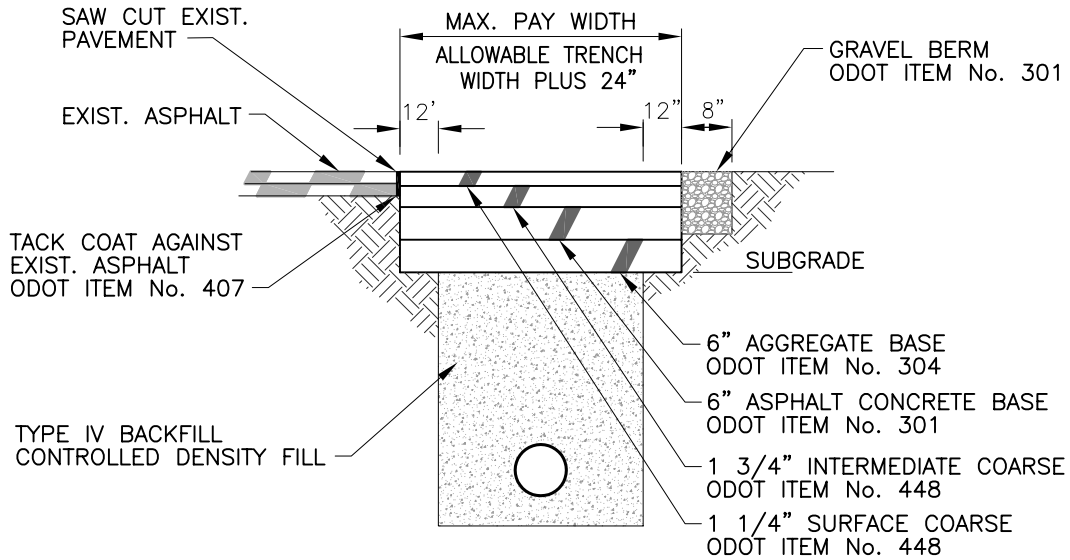


E:\Construction\Standard Details\Del-Co\ID-16 Asphalt Roadway Pavement Replacement.dwg, 1, 12/13/2004 3:12:04 PM, PER



## ASPHALT ROADWAY PAVEMENT REPLACEMENT

NTS



**Del-Co  
Water Co., Inc.**  
6773 OLENTANGY RIVER RD.  
DELAWARE, OH 43015

## ASPHALT ROADWAY PAVEMENT REPLACEMENT

REVISED  
01 DEC 04

SCALE  
NTS

PAGE 1 OF 1

D-16