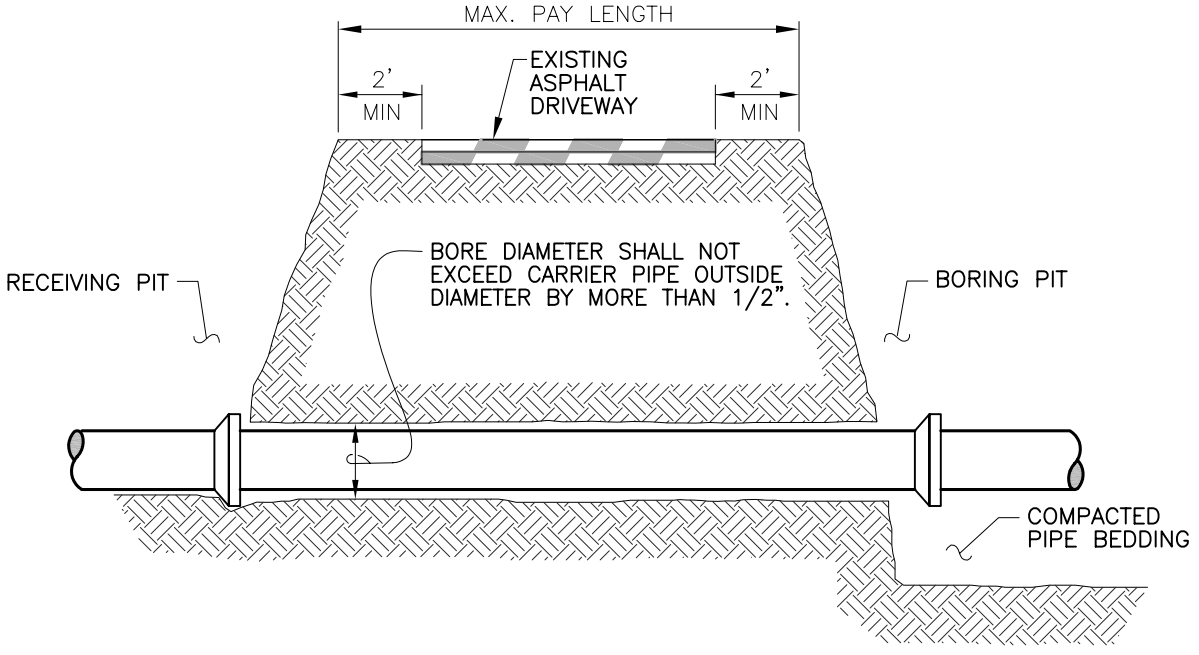


E:\Construction\Standard Details\Del-Co\PDFD-23 Free Bore.dwg, 1, 1/12/2005 3:55:10 PM, PER



NOTES:

1. COMPLETE FREE BORE. REMOVE AUGER, AND INSERT CARRIER PIPE W/ SPIGOT END.
2. PROVIDE SINGLE PIECE OF CARRIER PIPE FOR ENTIRE SPAN OF FREE BORE WITH NO JOINTS.



**Del-Co**  
**Water Co., Inc.**  
6773 OLENTANGY RIVER RD.  
DELAWARE, OH 43015

# FREE BORE

REVISED  
10-11-04

SCALE  
NTS

PAGE 1 OF 1

D-23